

# SCBA with resistance warning

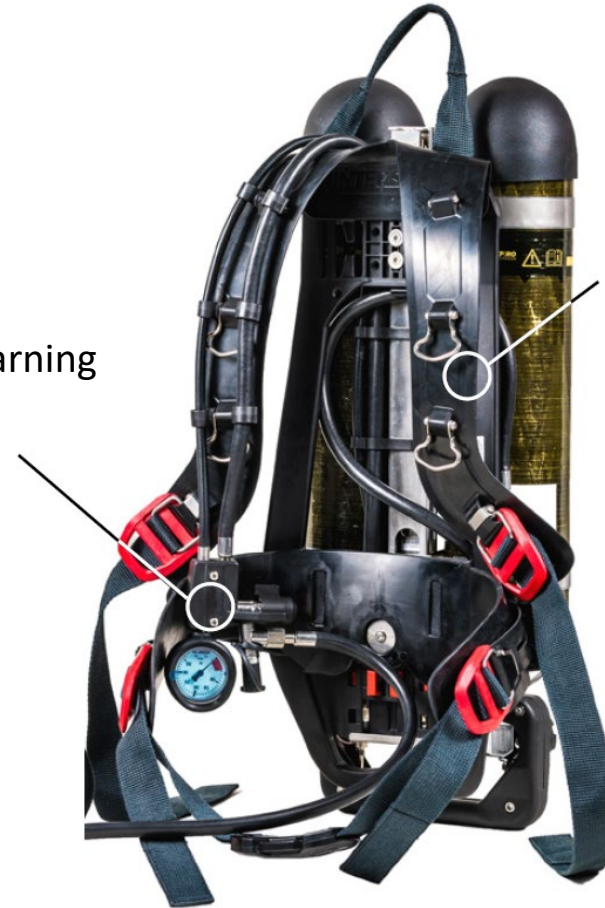
Reserve air warning with handle



**QS II-R**

Adjustable, textile harness

Reserve air warning with handle



**Incurve-R**

Adjustable, easy clean rubber harness

# SCBA with warning whistle



**QS II**



**Incurve**

# SCBA - other



Harness

Warning whistle

**Spiromatic 90U**



Adjustable, textile harness

Digital Display unit

**Spiroguide II**

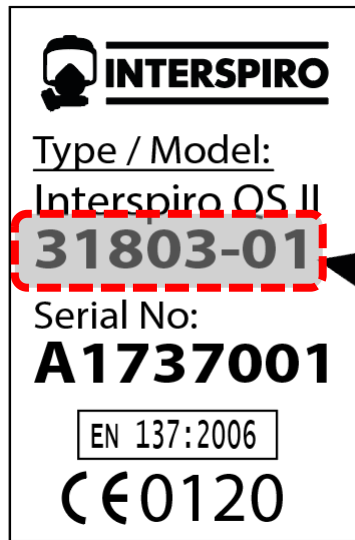


Adjustable, easy clean rubber harness

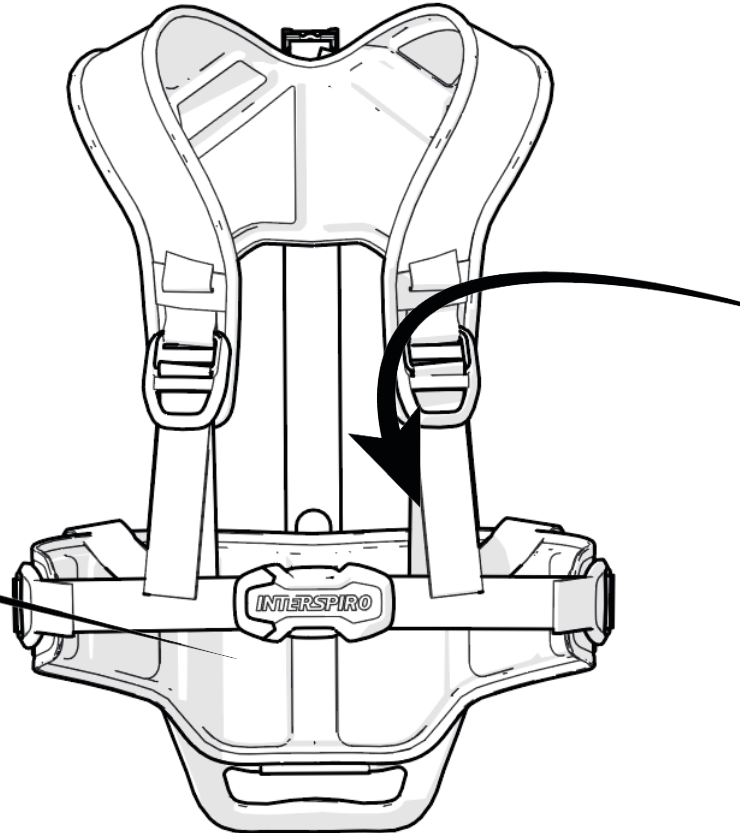
Digital display unit

**Incurve-E**

# Marking of SCBA



**Article number**



**Apparatus**



**Serial number**

# Mask with quick connection



Quick connection

**Inspire-H**  
**Ambient air hatch**



Quick connection

**Inspire-A**  
**Automatic**

# Mask with locked valve



Speech cone  
locks the valve in  
place

**S-H**  
**Ambient air hatch**



Speech cone  
locks the valve in  
place

**S-FB**  
**Automatic activation**

# Filter mask



**Respire N – Filter mask**

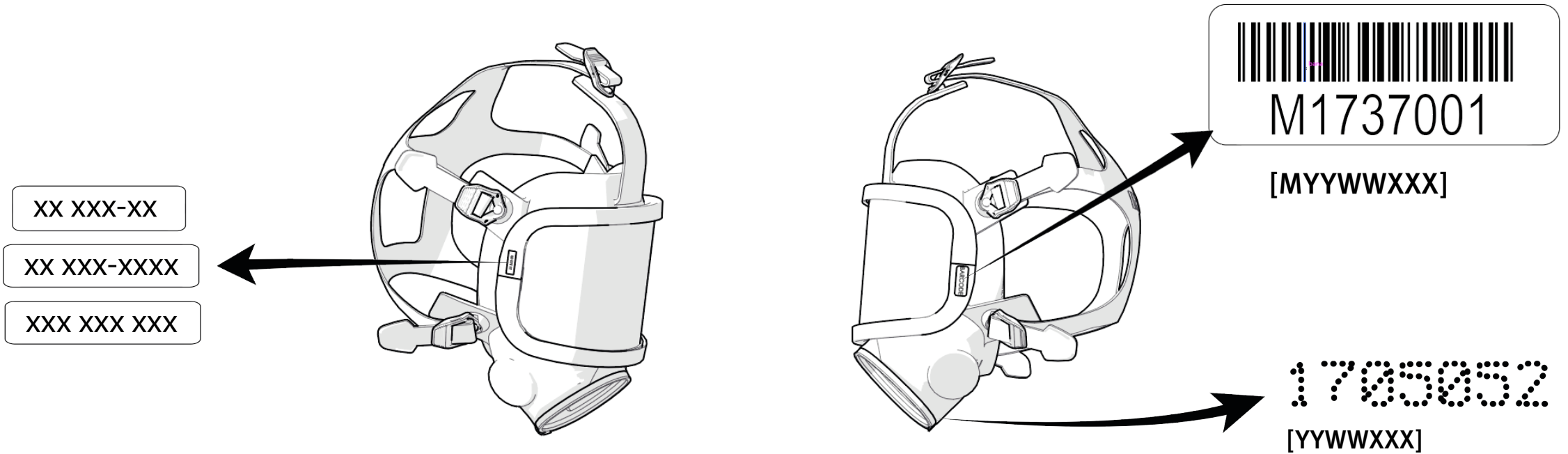
# Mask older valve



**Spiromatic**



# Marking of mask



**Article number**

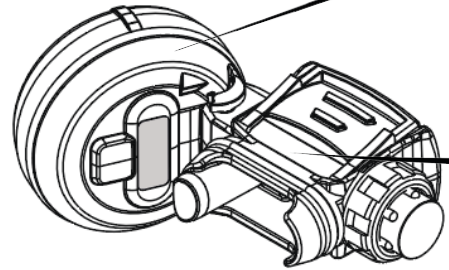
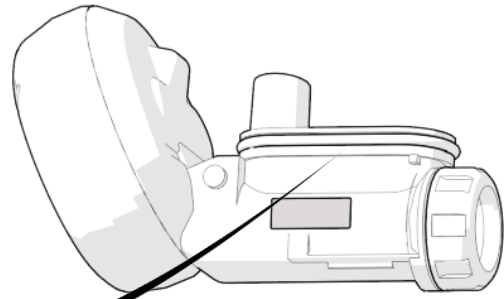
**Mask**

**Serial number**

# Marking of breathing valve

XX XXX-XX

XXX XXX XXX



[BYYWWXXX]

1705052

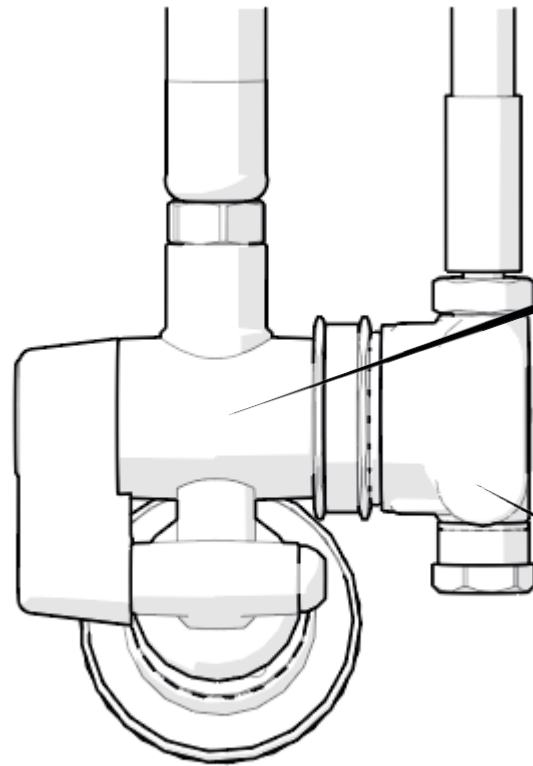
[YYWWXXX]

**Article number**

**Breathing valve**

**Serial number**

# Marking of regulator unit



[RYYWWXXX]

1705052

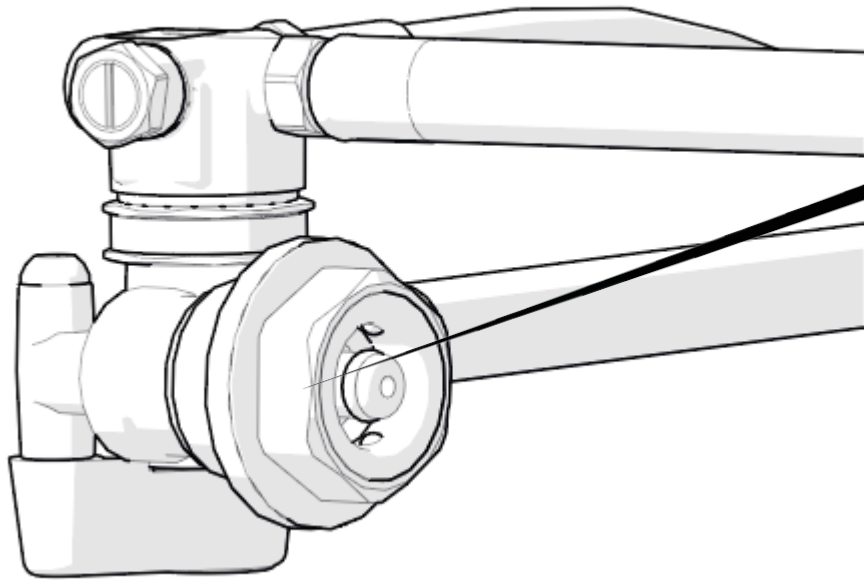
Plug-in regulator

[YYWWXXX]

**Regulator unit**

**Serial number**

# Marking of cylinder quick coupling



P05

[PYY]

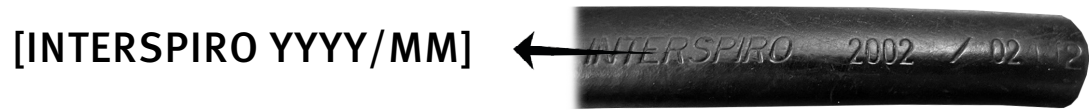
0517052

[YYWWXXX]

**Cylinder quick coupling**

**Serial number**

# Marking of hoses



[INTERSPIRO YYYY/MM]

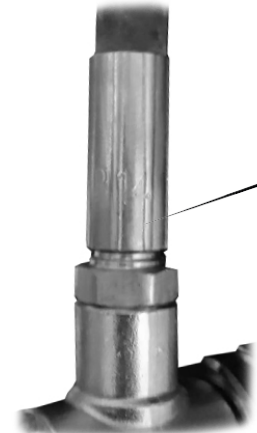


05/17  
[YY/WW]

0517  
[YYWW]

0517  
[YYX]

1505/17  
[IS YY/WW]



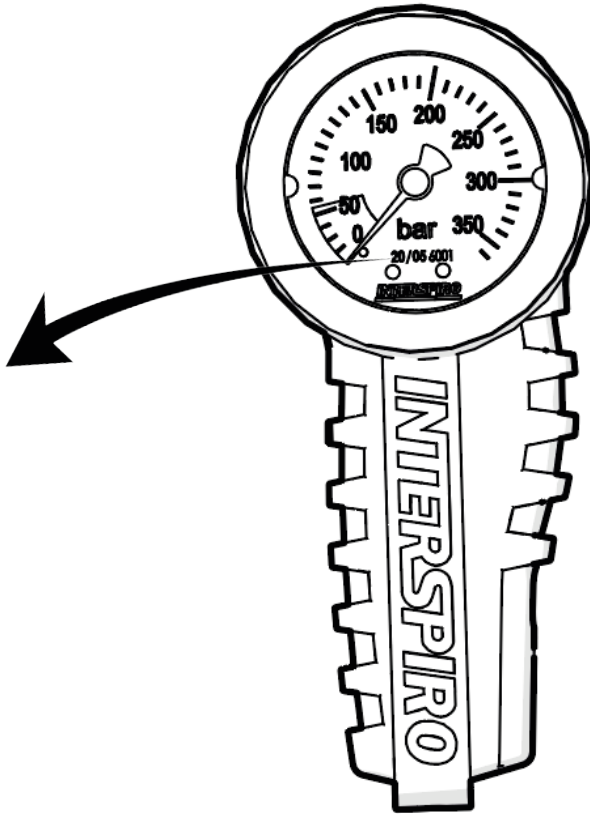
P05  
[PYY]

**Medium pressure hoses**

**High pressure hoses**

# Marking of gauge

[YY/MM XXXX]  
20/05 6001



**Gauge**